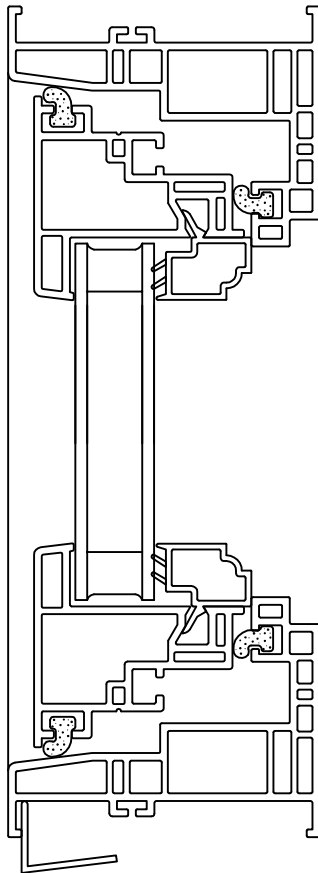
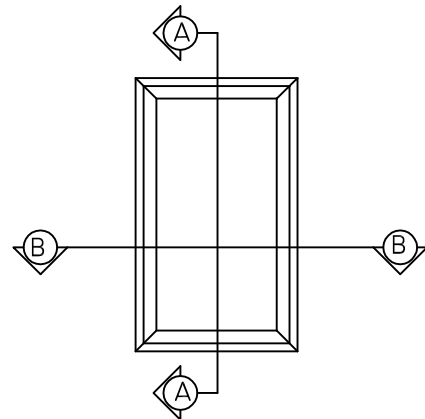


SECTION "B-B"  
NOT TO SCALE



SECTION "A-A"  
NOT TO SCALE



VinylPro 2000™  
PICTURE WINDOW  
WELDED ASSEMBLY



WINDOW CORP.

Route 100, Pascoag, Rhode Island 02859

TEL: (401) 568-3061

FAX: (401) 568-2273

[www.lockheedwindow.com](http://www.lockheedwindow.com)

Form #745  
Rev 1/09