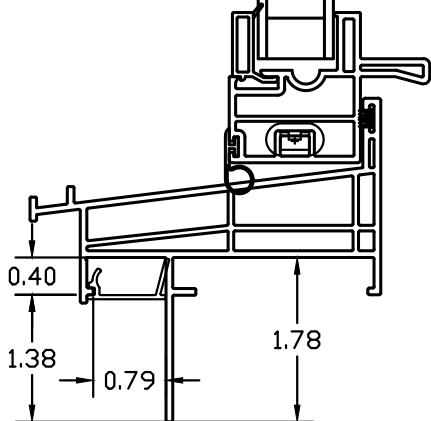
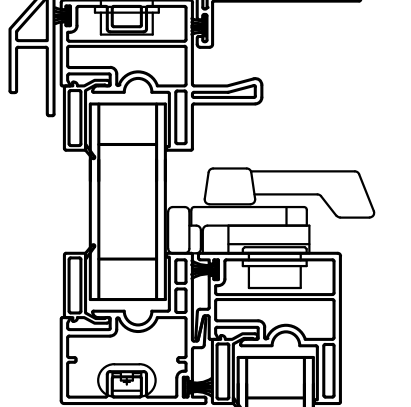
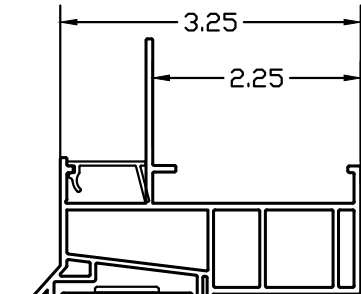
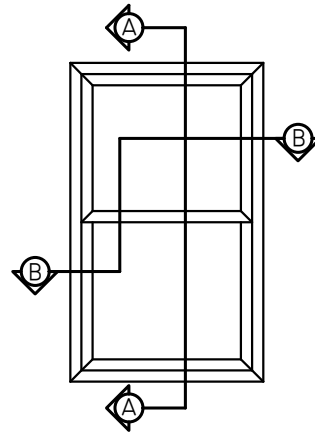


SECTION "B-B"
NOT TO SCALE



SECTION "A-A"
NOT TO SCALE

NOT TO SCALE



NUCON[®]
DOUBLE HUNG
NEW CONSTRUCTION WINDOW
WELDED ASSEMBLY
NO "J" CHANNEL FILLER



WINDOW CORP.

Route 100, Pascoag, Rhode Island 02859
TEL: (401) 568-3061
FAX: (401) 568-2273
www.lockheedwindow.com

Form #525AX
Rev 06/16