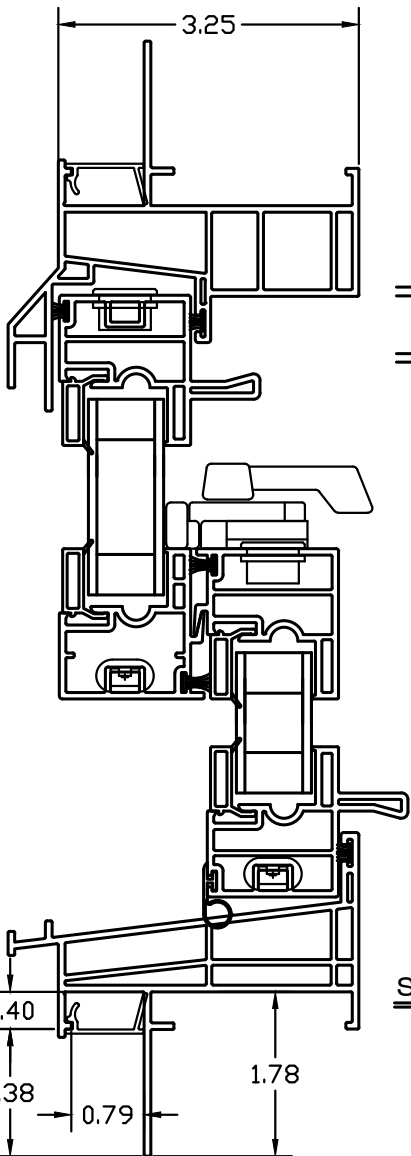


DETAIL "B"

NOT TO SCALE

DETAIL "D"

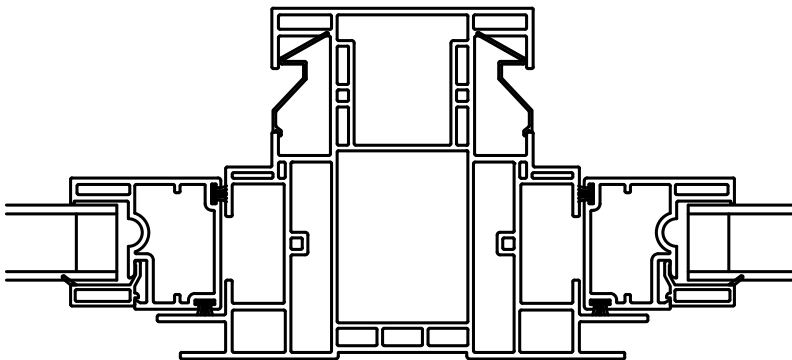
NOT TO SCALE



SECTION "A-A"

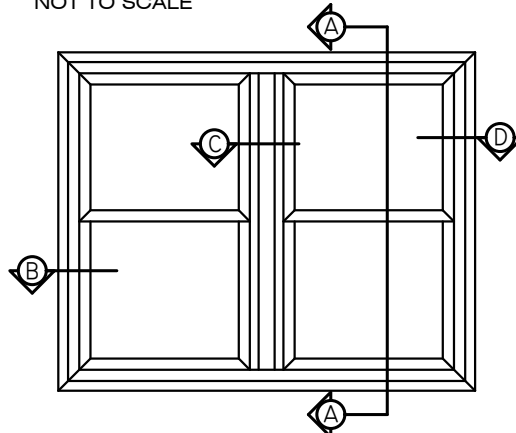
NOT TO SCALE

NOT TO SCALE



DETAIL "C"

NOT TO SCALE



NUCON[®]

DOUBLE HUNG
NEW CONSTRUCTION WINDOW
WELDED ASSEMBLY
NO "J" CHANNEL FILLER
WITH INTEGRAL MULLION



WINDOW CORP.

Route 100, Pascoag, Rhode Island 02859

TEL: (401) 568-3061

FAX: (401) 568-2273

www.lockheedwindow.com

Form #525CX
Rev 12/16