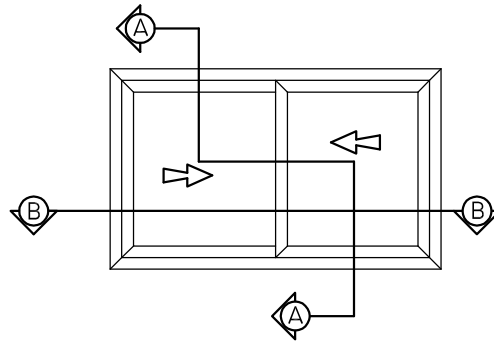
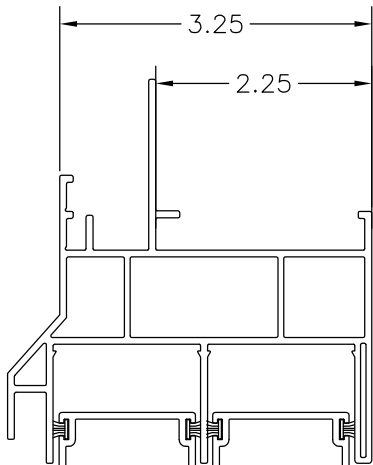
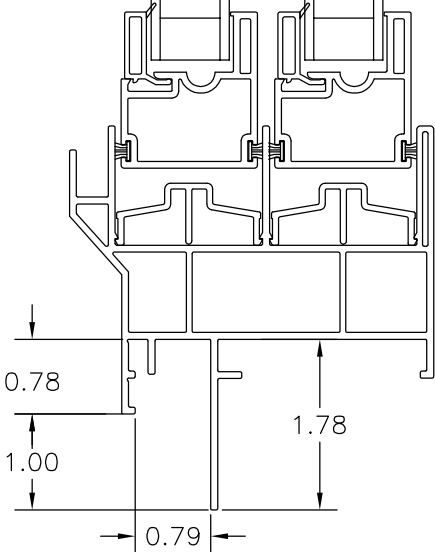


SECTION "B-B"
NOT TO SCALE



NUCON[®]
TWO-LITE SLIDER
NEW CONSTRUCTION WINDOW
WELDED ASSEMBLY

WITH "J" CHANNEL



SECTION "A-A"
NOT TO SCALE

NOT TO SCALE



WINDOW CORP.

Route 100, Pascoag, Rhode Island 02859
TEL: (401) 568-3061
FAX: (401) 568-2273
www.lockheedwindow.com

Form #530
Rev 8/09