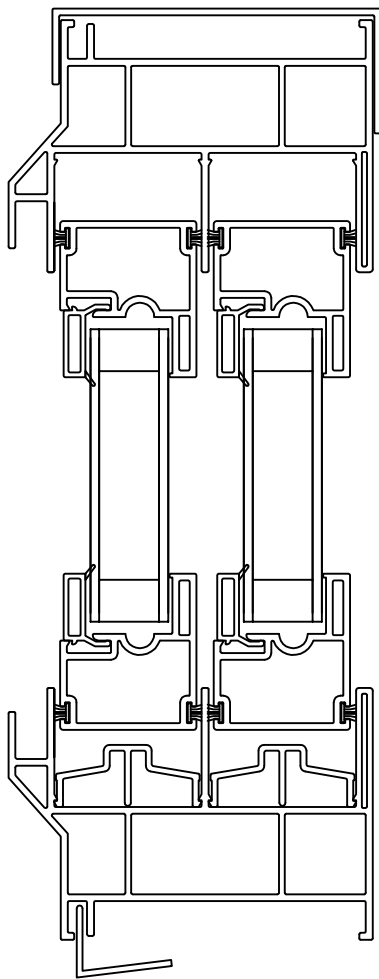
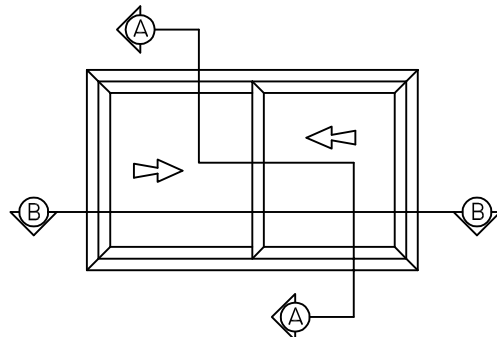


SECTION "B-B"  
NOT TO SCALE



SECTION "A-A"  
NOT TO SCALE



**MONARCH™**  
TWO-LITE SLIDER  
WELDED FRAME  
WELDED SASH

NOT TO SCALE



WINDOW CORP.

Route 100, Pascoag, Rhode Island 02859

TEL: (401) 568-3061

FAX: (401) 568-2273

[www.lockheedwindow.com](http://www.lockheedwindow.com)

Form #510  
Rev 1/09