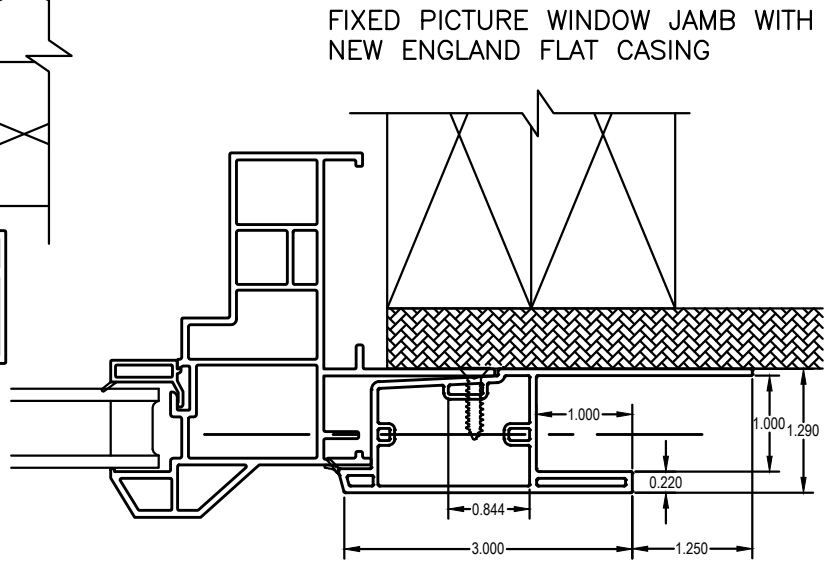
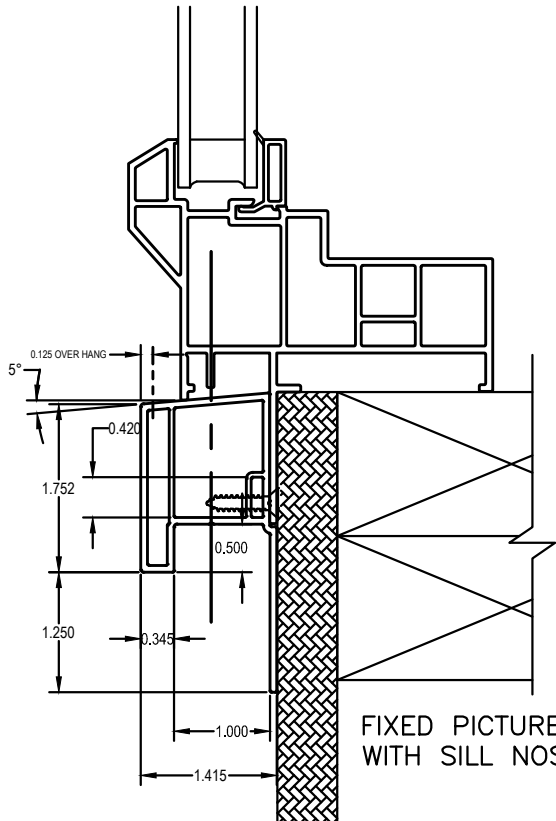


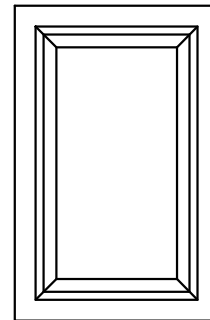
FIXED PICTURE WINDOW HEAD WITH  
NEW ENGLAND FLAT CASING



FIXED PICTURE WINDOW JAMB WITH  
NEW ENGLAND FLAT CASING



FIXED PICTURE WINDOW SILL  
WITH SILL NOSE



**NUCON<sup>®</sup>**  
FIXED PICTURE NEW  
CONSTRUCTION WINDOW  
WELDED ASSEMBLY WITH  
NEW ENGLAND CASING  
AND SILL NOSE

NOT TO SCALE



WINDOW CORP.

Route 100, Pascoag, Rhode Island 02859

TEL: (401) 568-3061

FAX: (401) 568-2273

[www.lockheedwindow.com](http://www.lockheedwindow.com)

Form #555C

SPECIFICATIONS SUBJECT TO CHANGE WITHOUT NOTICE