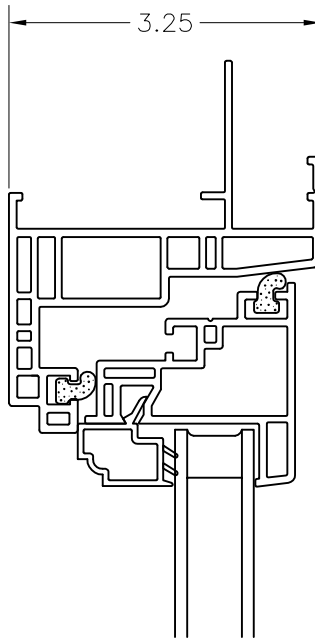
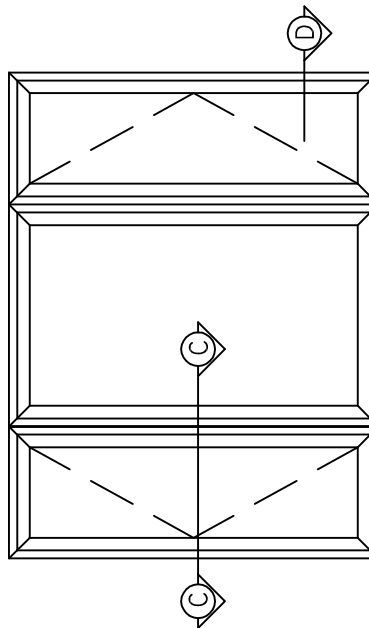


**SECTION "C-C"**  
NOT TO SCALE



**SECTION "D-D"**  
NOT TO SCALE



**NUCON<sup>®</sup>**  
THREE-LITE CASEMENT  
NEW CONSTRUCTION WINDOW  
WELDED ASSEMBLY  
WITH "J" CHANNEL

NOT TO SCALE



WINDOW CORP.

Route 100, Pascoag, Rhode Island 02859

TEL: (401) 568-3061

FAX: (401) 568-2273

[www.lockheedwindow.com](http://www.lockheedwindow.com)

Form #550  
Rev 1/09