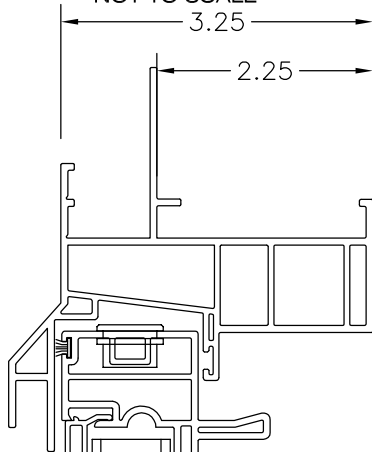


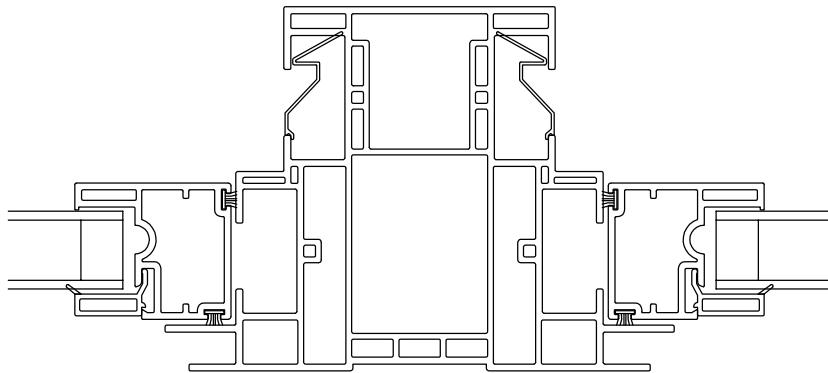
DETAIL "B"

NOT TO SCALE



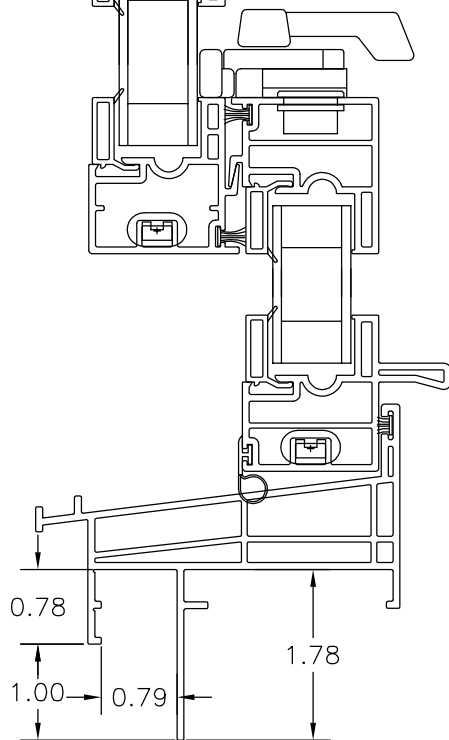
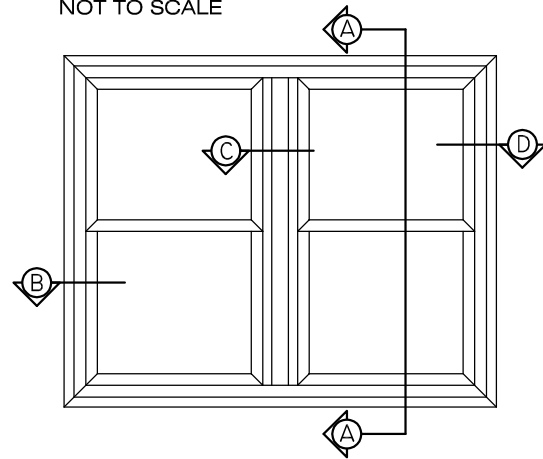
DETAIL "D"

NOT TO SCALE



DETAIL "C"

NOT TO SCALE



SECTION "A-A"

NOT TO SCALE

NOT TO SCALE

NUCON[®]
 WITH "J" CHANNEL
 WITH INTEGRAL MULLION



WINDOW CORP.

Route 100, Pascoag, Rhode Island 02859

TEL: (401) 568-3061

FAX: (401) 568-2273

www.lockheedwindow.com

Form #525B
 Rev 8/09